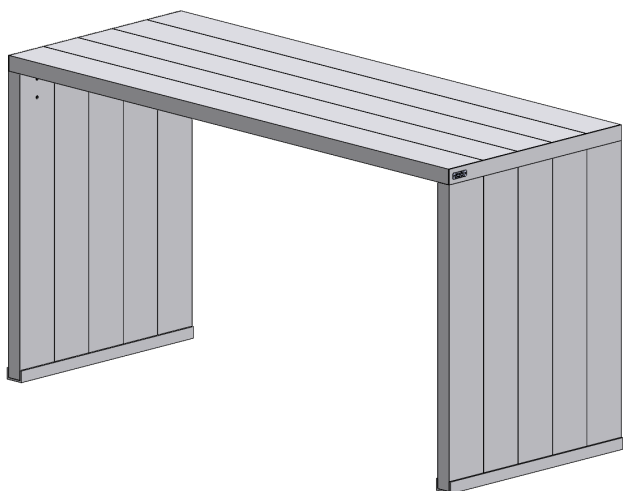
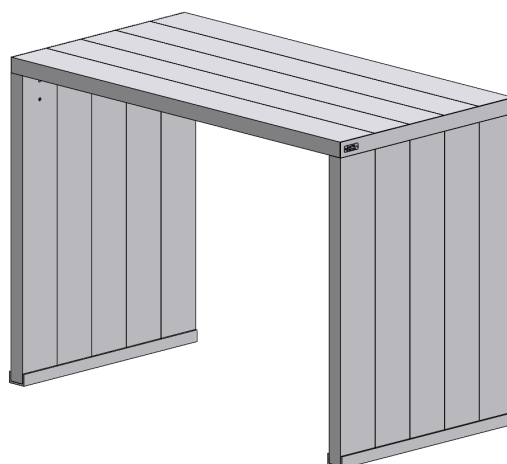


Jennifer Newman | Portal tall table indoor/outdoor use

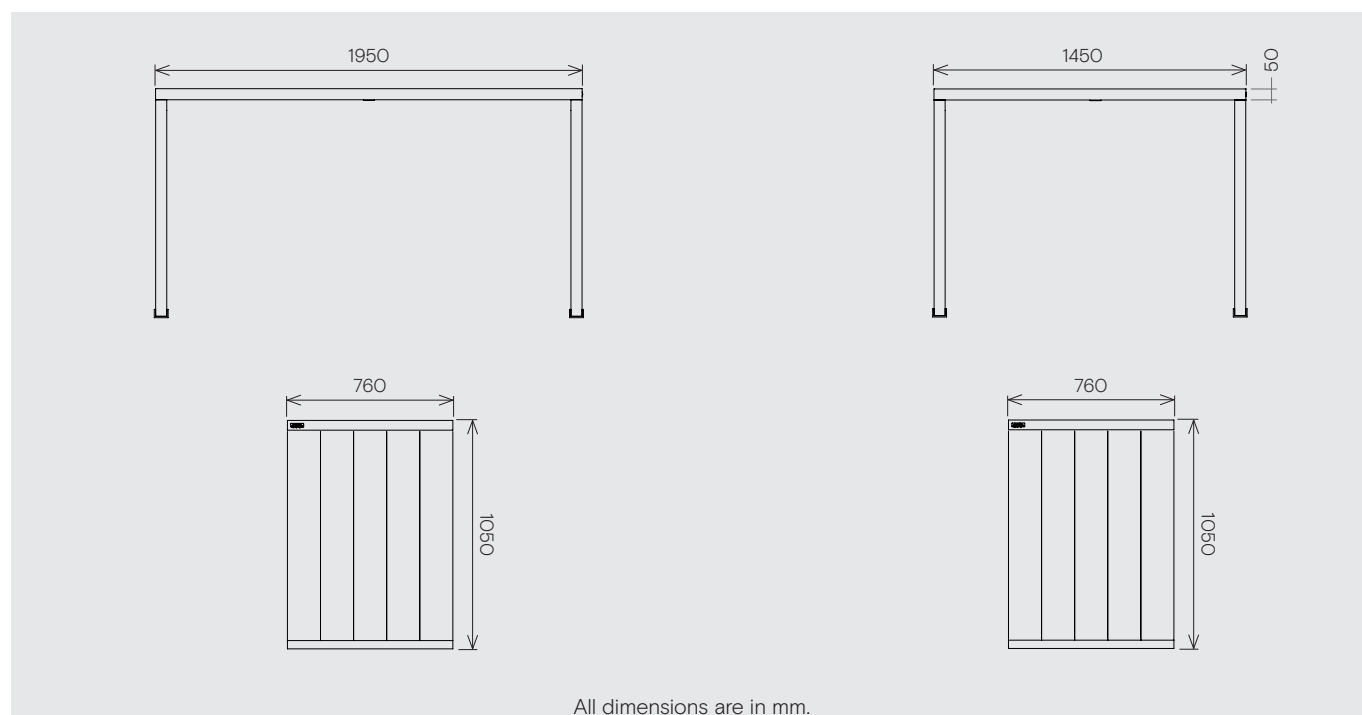
Simple, quick assembly



Large
1950w x 760d x 1050h mm
Weight 80 kg



Medium/Small
1450w x 760d x 1050h mm
Weight 70 kg



Fine texture powder-coat finish, which provides:

- High resistance to wear-and-tear
- Low-glare reflection
- Long life durability
- Ease of cleaning
- Low maintenance
- Anti-bacterial and Volatile-Organic-Compound free.
- Aluminium for long-life, will not rust.
- Completely sealed construction.
- Flush undersides avoid wind uplift.
- In-leg weight or bolt-down brackets available.
- 10 standard colours, others on request (see separate reference sheet).