

LINEAR TABLE AND BENCH

Jennifer Newman

Materials:

Polyester powder-coated aluminium.

Optional Extras:

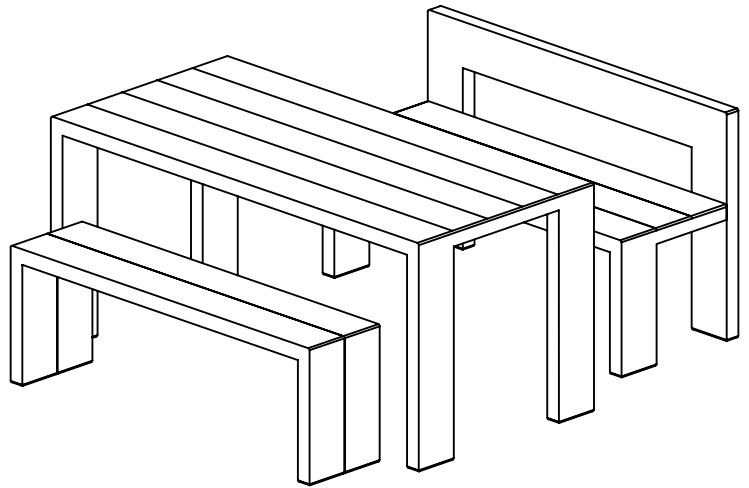
Non-standard colours.
In-frame weighting.

Warranty:

5 years provided that products are cleaned and maintained in accordance with our advice and have not been misused.

Assembly:

Assembly is not required for this product.
Check access to ensure this one piece product can be installed without difficulty.
Please be careful when removing wrapping to avoid sharp implements damaging the surface.

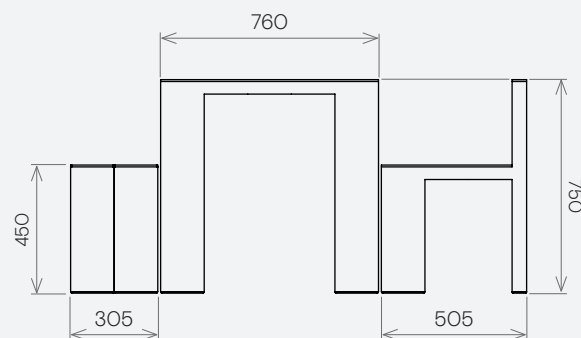
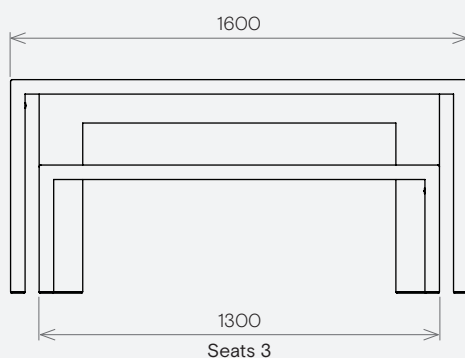


Dimensions & Weight

All dimensions in mm.

W	D	H	kg
Table			
1600	760	750	40

W	D	H	kg
Bench			
1300	305	450	20
1300	505	750	26



Powder-coating standard colours

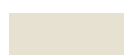
lacquer sealed



Sable
BS 04-B-21



Oxide Red
RAL 3009



Cream
RAL 9001



Agate Grey
RAL 7038



Light Blue
BS 18-C-35



Black
RAL 9004



Bronze



Gunmetal