

# ALFRESCO-MINI – OUTSIDE

Jennifer Newman

## Uses

Terraces – Public Spaces – Cafés

## Key Features

- Tough, hard-wearing materials
- Concealable parasol hole
- Easily accessed benches
- Ideal for exposed, windy terraces
- Wheelchair access
- 5 year warranty

## Materials

### Frame

Brushed Stainless Steel  
with a finger-print & stain resistant coating

### Outside Surface Options

**Solid Iroko Slats**  
Unfinished. Will turn silver grey when exposed to UV light

## Environmental

- British manufacture
- FISP accredited
- Demountable for re-use or recycling
- 60% Recycled stainless steel

## Installation

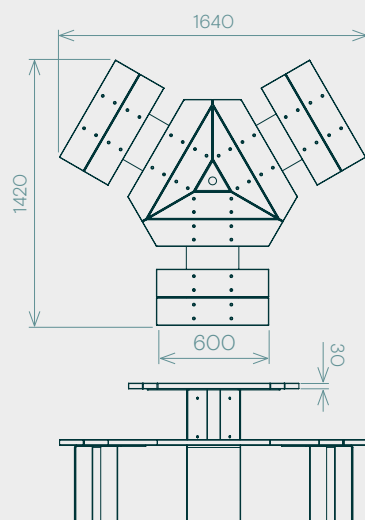
Full assembly instructions provided in fixing pack.



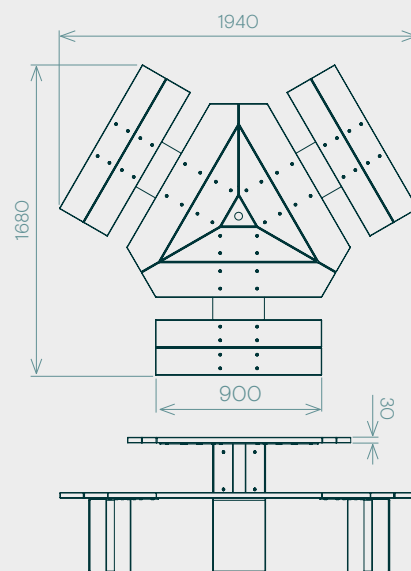
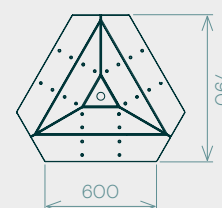
## Dimensions & Weight

All dimensions in mm.

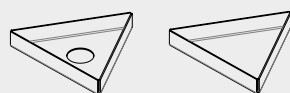
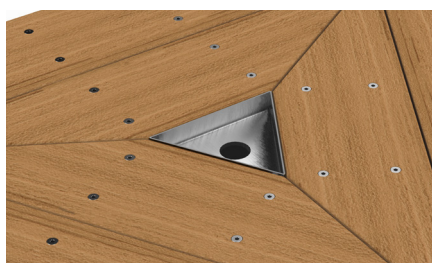
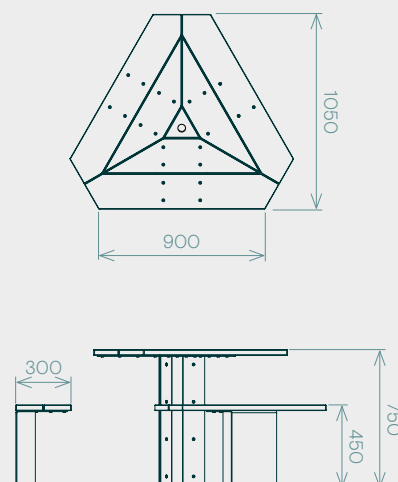
| W    | D    | H   | kg  |
|------|------|-----|-----|
| 1640 | 1420 | 750 | 160 |
| 1940 | 1680 | 750 | 185 |



Seats 3



Seats 6



Interchangeable Central Plug allows  
for concealable Parasol Hole