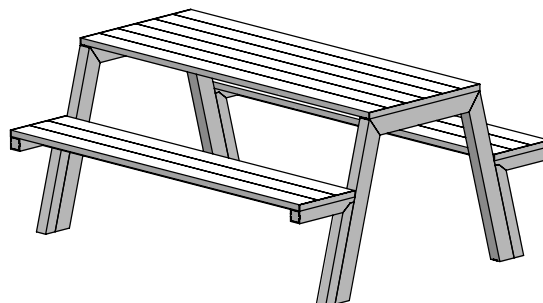
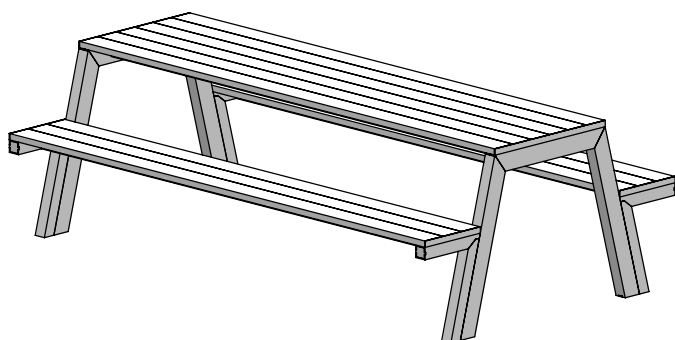


# Jennifer Newman | A-Frame Demountable

indoor/outdoor use

Simple, quick assembly

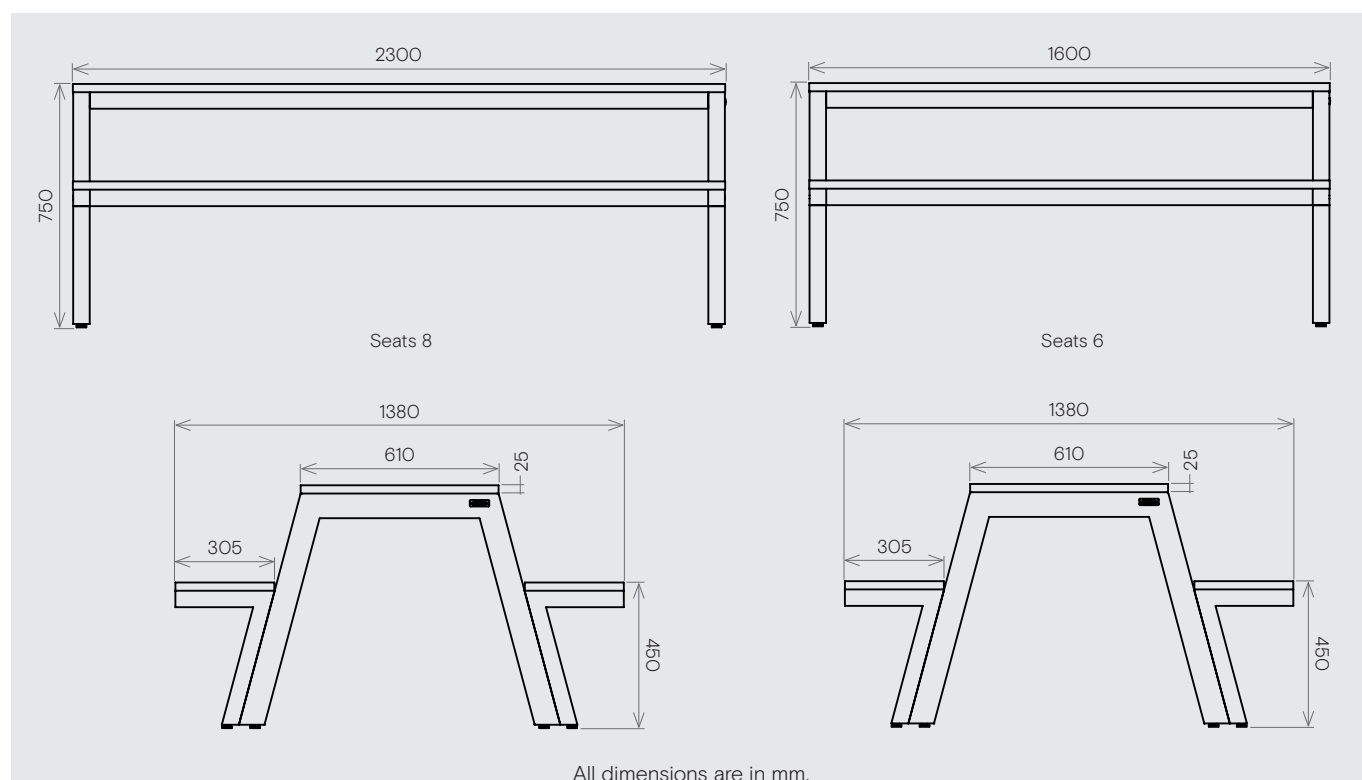


**Seats 8**  
2300w x 1380d x 750h mm

**Weight 90 kg**

**Seats 6**  
1600w x 1380d x 750h mm

**Weight 65 kg**



## Fine texture powder-coat finish providing:

- High resistance to wear-and-tear
- Low-glare reflection
- Long life durability
- Ease of cleaning
- Low maintenance
- Anti-bacterial and Volatile-Organic-Compound free.

## Other benefits and features:

- Aluminium for long-life, will not rust.
- Withstands wind in exposed conditions.
- Wheelchair access at each end.
- Parasol hole option (50mm dia).
- Bolt-down brackets available.
- 12 standard colours,  
others on request (see separate reference sheet).